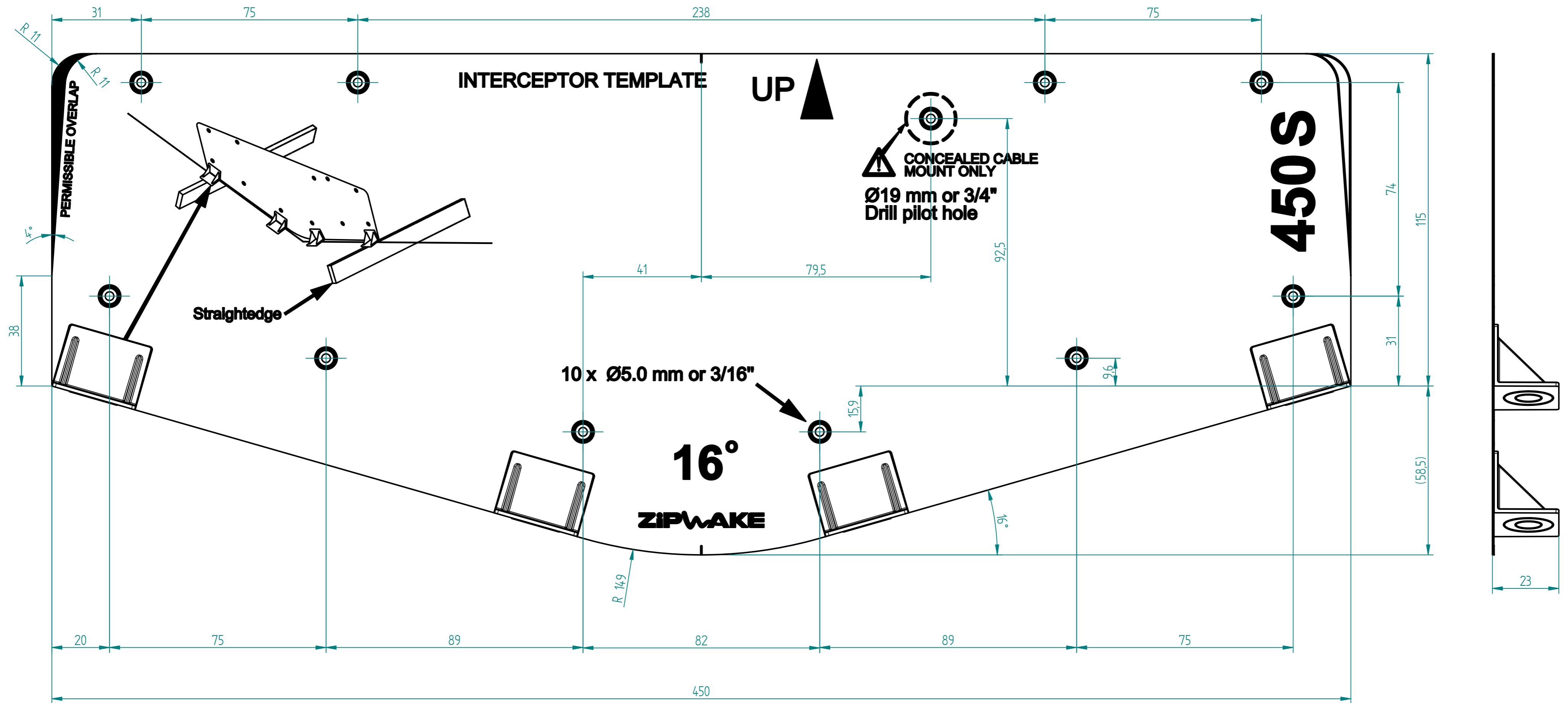


REV	DESCRIPTION	DATE	APPROVED



www.zipwake.com	ALL DIMENSIONS IN: mm DIMENSIONS WITHIN BRACKETS: [Inches]		DO NOT SCALE DRAWING		ZIPWAKE	
	COPYRIGHT 2015. ALL RIGHTS RESERVED BY ZIPWAKE AB. THE INFORMATION CONTAINED IN THIS DRAWING SHALL NOT BE REPRODUCED IN PART OR AS A WHOLE WITHOUT THE PRIOR WRITTEN PERMISSION OF ZIPWAKE AB.					TITLE: IT 450S V16 DRILL TEMPLATE
	DRAWN	NAME	DATE	SIZE	DWG. NO.	REV
	CHECKED			A2	3015052	R1A
APPROVED				SCALE: 1:1	WEIGHT:	SHEET 1 OF 1