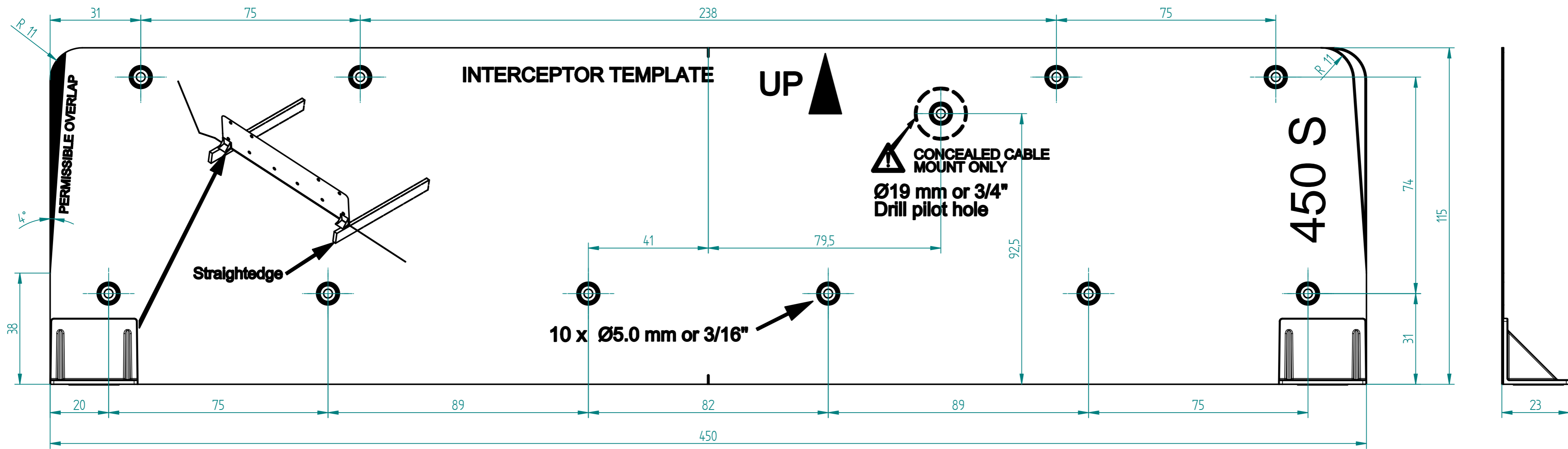


REV	DESCRIPTION	DATE	APPROVED



www.zipwake.com	ALL DIMENSIONS IN: mm DIMENSIONS WITHIN BRACKETS: [Inches]		DO NOT SCALE DRAWING		<b>ZIPWAKE</b>	
	COPYRIGHT 2015. ALL RIGHTS RESERVED BY ZIPWAKE AB. THE INFORMATION CONTAINED IN THIS DRAWING SHALL NOT BE REPRODUCED IN PART OR AS A WHOLE WITHOUT THE PRIOR WRITTEN PERMISSION OF ZIPWAKE AB.					TITLE: <b>IT 450S DRILL TEMPLATE</b>
	DRAWN	NAME: JD	DATE: 151014	SIZE: A2	DWG. NO.: 3015013	REV: R1A
	CHECKED			APPROVED	FILE NAME: 3015013_Zipwake_Interceptor_450S_Drill_Template_R1A.dft	
UNLESS OTHERWISE SPECIFIED GENERAL TOLERANCES ACCORDING TO ISO 2768-1-m			SCALE: 1:1	WEIGHT:	SHEET 1 OF 1	